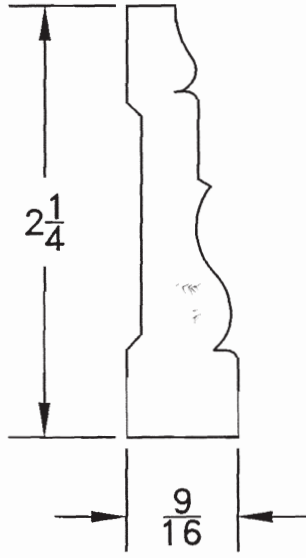


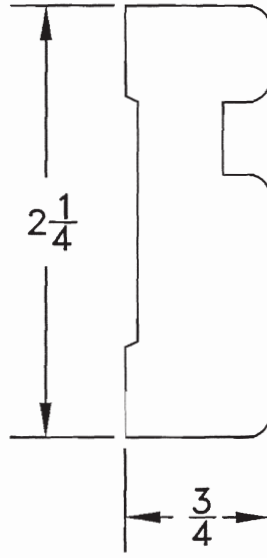
M-124A

$\frac{1}{2} \times 2\frac{1}{4}$



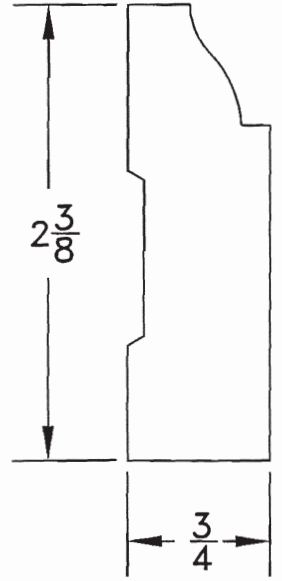
M-124

$\frac{9}{16} \times 2\frac{1}{4}$



M-125

$\frac{3}{4} \times 2\frac{1}{4}$



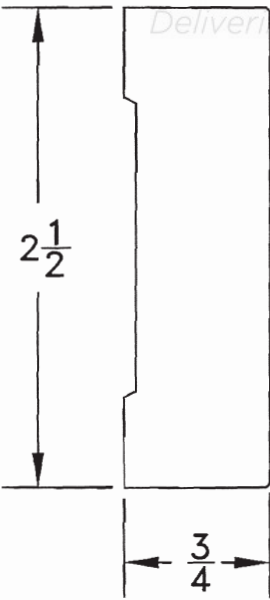
M-126

$\frac{3}{4} \times 2\frac{3}{8}$

MYCOTEC

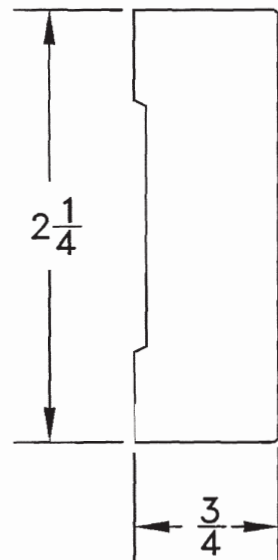
CUSTOM MOULDINGS & MILLWORK

*Delivering Quality Wood Products That Complete Your Dream Home*



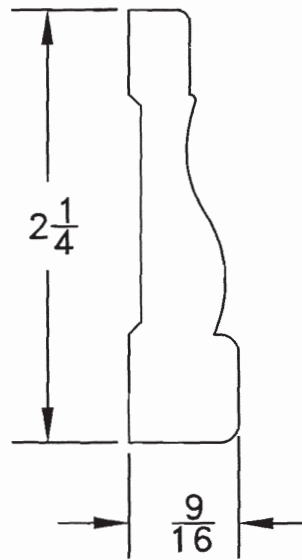
M-127

$\frac{3}{4} \times 2\frac{1}{2}$



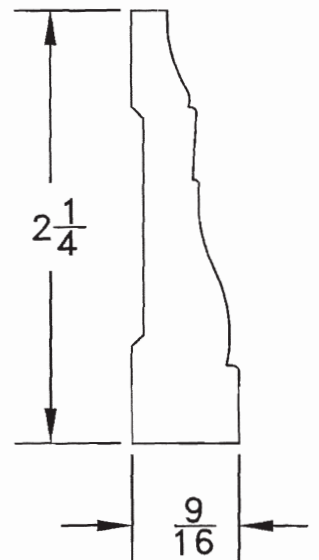
M-128

$\frac{3}{4} \times 2\frac{1}{4}$



M-129

$\frac{9}{16} \times 2\frac{1}{4}$



M-1210

$\frac{9}{16} \times 2\frac{1}{4}$