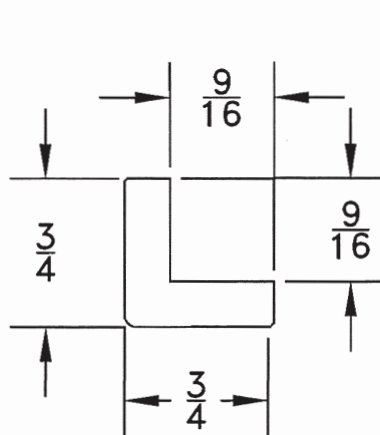


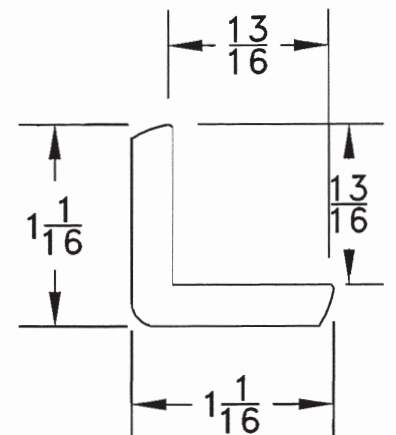
M-690

$1\frac{1}{16} \times 1\frac{1}{16}$



M-691

$\frac{3}{4} \times \frac{3}{4}$



M-692

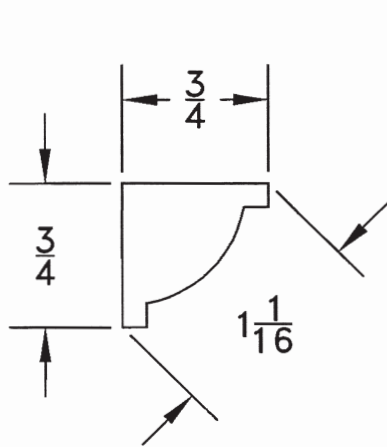
$1\frac{1}{16} \times 1\frac{1}{16}$

25 YEARS

MYCOTEC

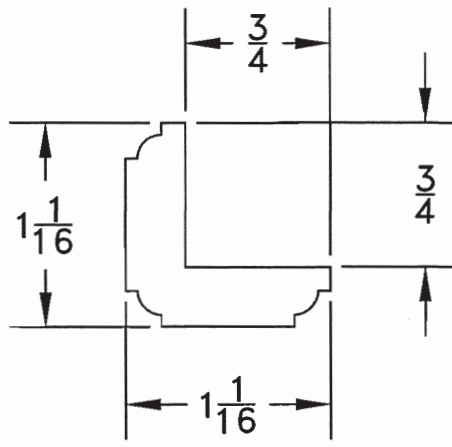
CUSTOM MOULDINGS & MILLWORK

Delivering Quality Wood Products That Complete Your Dream Home



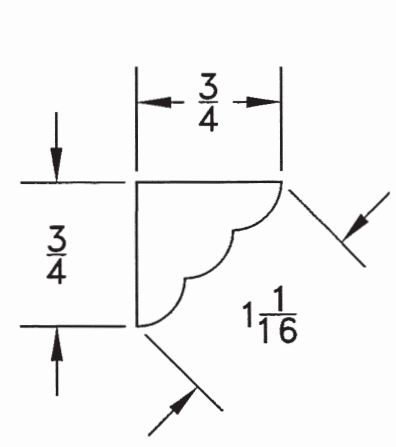
M-693

$\frac{3}{4} \times \frac{3}{4}$



M-694

$1\frac{1}{16} \times 1\frac{1}{16}$



M-695

$\frac{3}{4} \times \frac{3}{4}$